

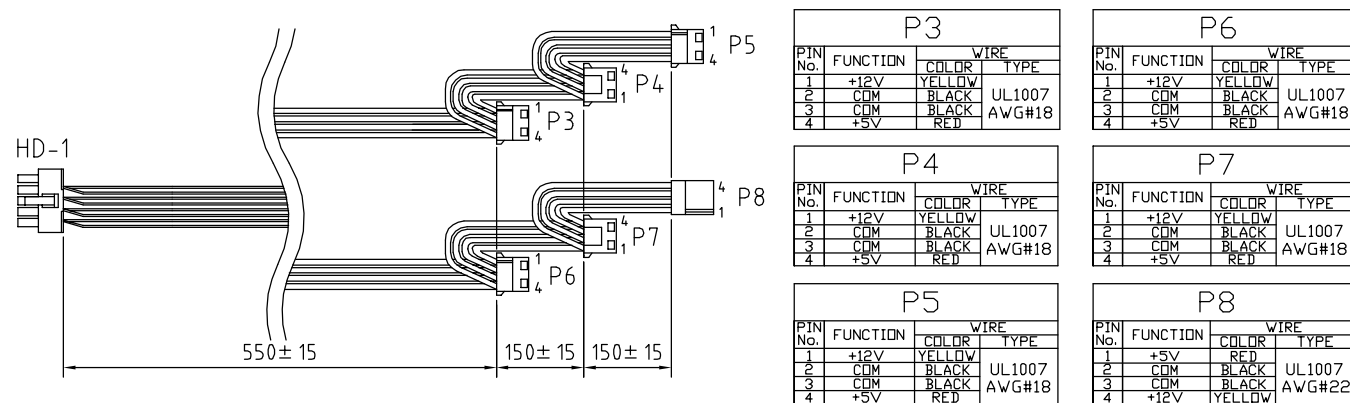
# ハーネスセット WHS2828 [WHS2828 Wire harness set]

内容物一覧 [List of contents]

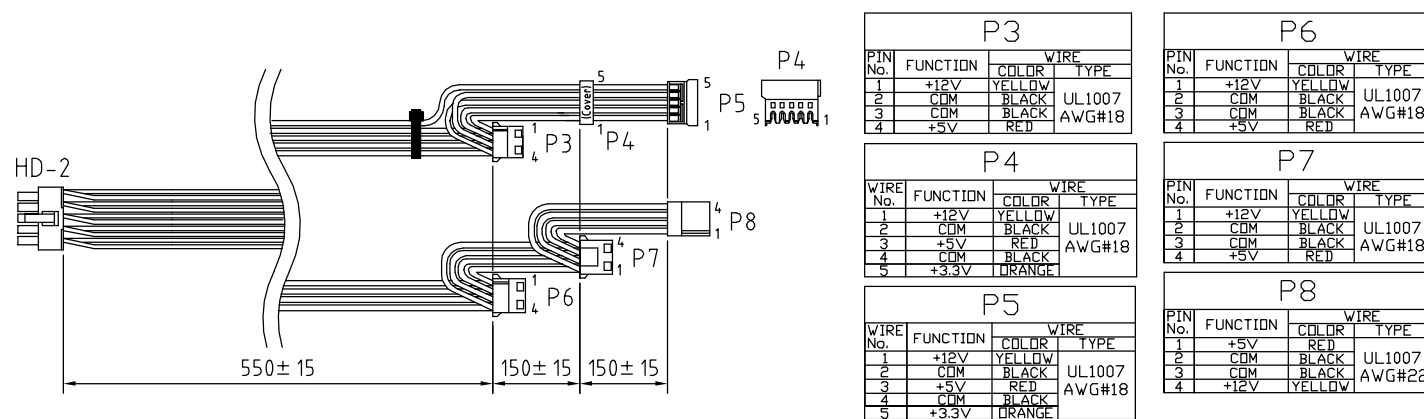
- MAIN POWER CABLE × 2 (24-pin type × 1, 20-pin type × 1)
- 12V POWER CABLE × 2 (8-pin type × 1, 4-pin and PCI-E type × 1)
- HD POWER CABLE × 3 (Normal type × 1, S-ATA type × 2)

## ■ HDパワーケーブル (「HD」に接続) [HD power cable (for "HD" power connector)]

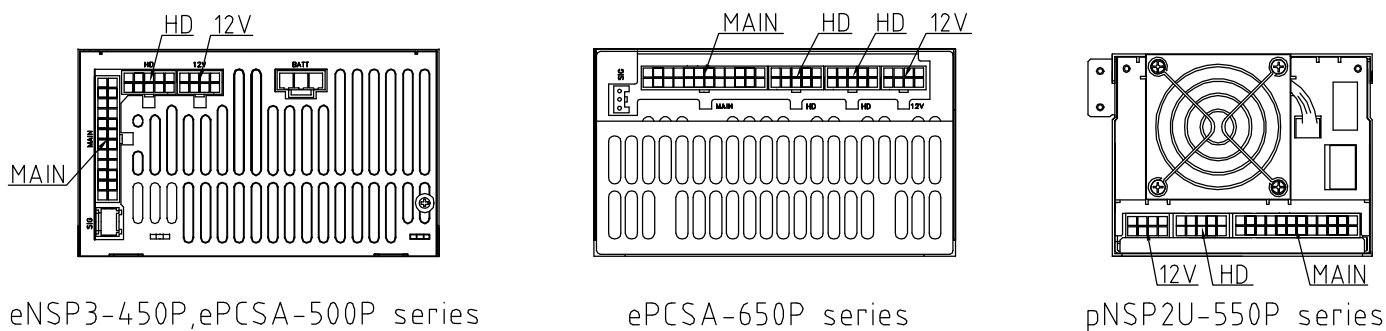
- ノーマルタイプ (型式: WH-PP610-850) 1個 [Normal type(Model WH-PP610-850):Qty 1]



- S-ATAタイプ (型式: WH-PS610-850) 2個 [S-ATA type(Model WH-PS610-850):Qty 2]



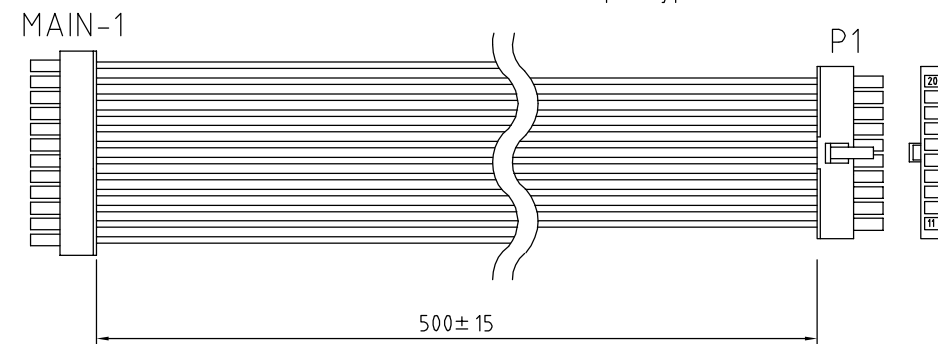
## ■ 対応機種 及び コネクタ位置 [Applicable power supplies and connector locations]



## ■ メインパワーケーブル (「MAIN」に接続)

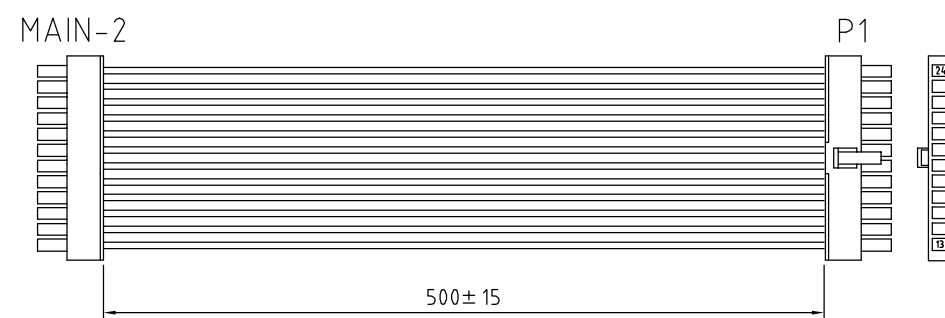
[Main power cable (for "MAIN" power connector)]

- 20PINタイプ (型式: WH-M2024-500) 1個 [20-pin type(Model WH-M2024-500):Qty 1]



P1			
PIN No.	FUNCTION	COLOR	WIRE TYPE
1	+3.3V	ORANGE	
2	+3.3V	ORANGE	
3	COM	BLACK	
4	+5V	RED	UL1007 AWG #18
5	COM	BLACK	
6	+5V	RED	
7	COM	BLACK	
8	PWR_OK	GRAY	UL1007 AWG #20
9	+5VSB	VIOLET	UL1007 AWG #18
10	+12V	YELLOW	
11	+3.3V SENSE	ORANGE	UL1007 AWG #22
12	+3.3V	ORANGE	
13	COM	BLACK	UL1007 AWG #18
14	DN/OFF	GREEN	UL1007 AWG #20
15	COM	BLACK	
16	COM	BLACK	UL1007 AWG #18
17	COM	BLACK	
18	N.C.	-	-
19	+5V	RED	UL1007 AWG #18
20	+5V	RED	UL1007 AWG #18
-	N.C.	-	-
-	N.C.	-	-
-	N.C.	-	-

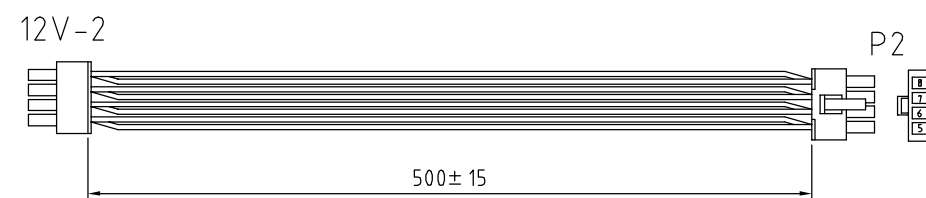
- 24PINタイプ (型式: WH-M2424-500) 1個 [24-pin type(Model WH-M2424-500):Qty 1]



P1			
PIN No.	FUNCTION	COLOR	WIRE TYPE
1	+3.3V	ORANGE	
2	+3.3V	ORANGE	
3	COM	BLACK	
4	+5V	RED	UL1007 AWG #18
5	COM	BLACK	
6	+5V	RED	
7	COM	BLACK	
8	PWR_OK	GRAY	UL1007 AWG #20
9	+5VSB	VIOLET	
10	+12V	YELLOW	
11	+12V	YELLOW	
12	+3.3V	ORANGE	UL1007 AWG #18
13	+3.3V	ORANGE	
14	-12V	BLUE	
15	COM	BLACK	
16	DN/OFF	GREEN	UL1007 AWG #20
17	COM	BLACK	
18	COM	BLACK	UL1007 AWG #18
19	COM	BLACK	
20	N.C.	-	-
21	+5V	RED	
22	+5V	RED	
23	+5V	RED	UL1007 AWG #18
24	COM	BLACK	

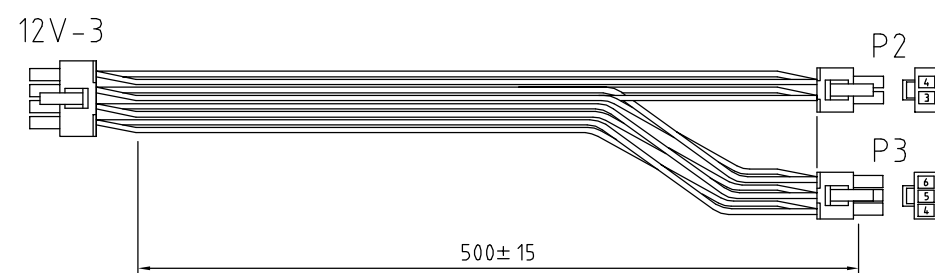
## ■ 12Vパワーケーブル (「12V」に接続) [12V power cable (for "12V" power connector)]

- 8PINタイプ (型式: WH-V0808-500) 1個 [8-pin type(Model WH-V0808-500):Qty 1]



P2		
PIN No.	FUNCTION	WIRE TYPE
1	COM	BLACK
2	COM	BLACK
3	COM	BLACK
4	COM	BLACK
5	+12V	YELLOW
6	+12V	YELLOW
7	+12V	YELLOW
8	+12V	YELLOW

- 4PIN+PCI-Eタイプ (型式: WH-VG208-500) 1個 [4-pin and PCI-E type(Model WH-VG208-500):Qty 1]



P2		
PIN No.	FUNCTION	WIRE TYPE
1	COM	BLACK
2	COM	BLACK
3	+12V	YELLOW
4	+12V	YELLOW

P3		
PIN No.	FUNCTION	WIRE TYPE
1	+12V	YELLOW
2	+12V	YELLOW
3	+12V	YELLOW
4	COM	BLACK
5	COM	BLACK
6	COM	BLACK