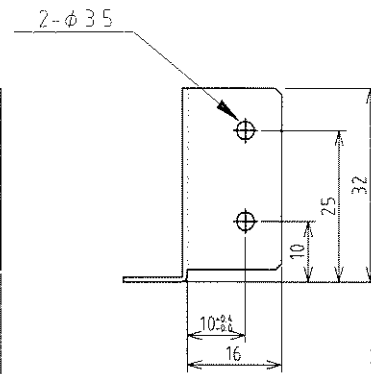
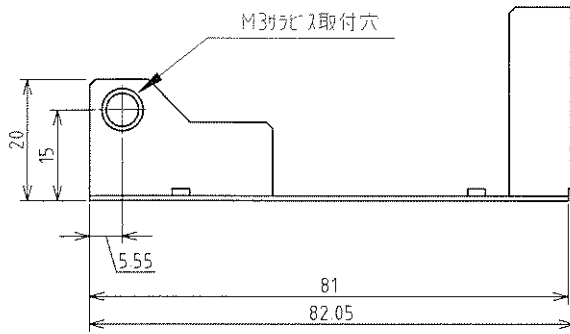
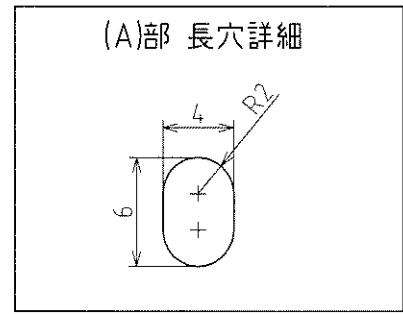
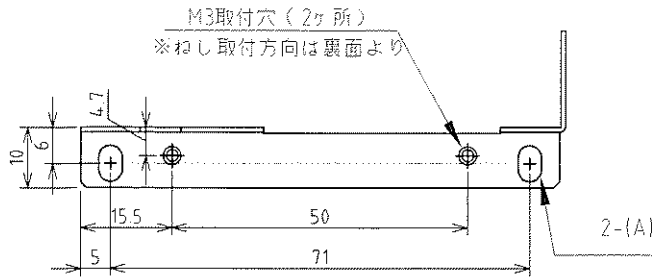


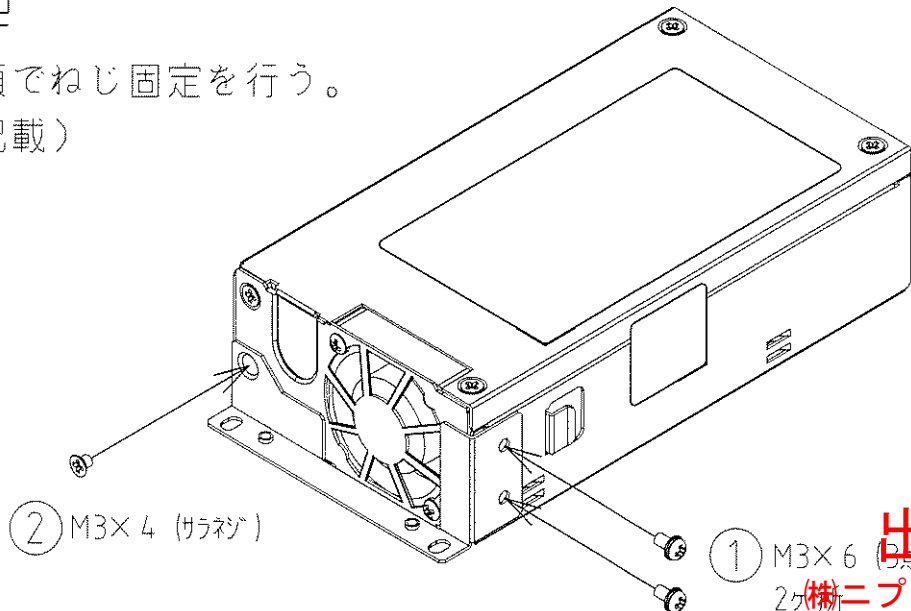
外形図



板厚 0.8mm
指示なき寸法公差 ±0.5

取付図

図中の番号順でねじ固定を行う。
(推奨ねじ記載)



② M3×4 (サラネジ)

① M3×6 (5点ねじ)
2ヶ所 (ニプロン・技管)

出図

DRAWN BY	CHECKED BY	CHECKED BY	APPROVED BY	SCALE	✕	MATERIALS	TITLE	ACC3102
田中(俊)				UNITS		m/m		FINISH
ISSUED	2010. 9. 29			3RD ANGLE PROJECTION			DRAWING No.	3102-01-4-050