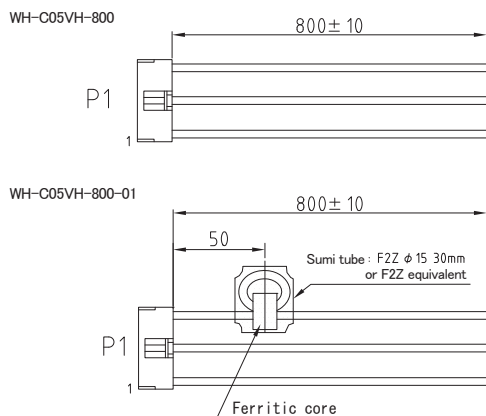


Input Harness WH-C05VH-800 Series



Dimension



Model	Stock	Standard Price (Before Tax)
WH-C05VH-800	Standard stock	¥360
WH-C05VH-800-01	Standard stock	¥400

Model Name Coding

WH - C 05VH - 500 - 01

① ② ③ ④ ⑤

① Wire harness
② Rough hewn at load side
③ Power supply side 5pin VH connector
④ Harness length (mm)
⑤ With ferrite core

- Input harness which able to connect with nylon connector of OZ/OZP series.
- 「WH-C05VH-800-01」with ferrite core is available for noise measures.

Applicable power supply

Model	Page	Model	Page
OZ-015 Series	C-E2	OZP-120 Series	C-E86
OZ-030 Series	C-E28	OZP-170 Series	C-E104
OZ-060 Series	C-E54		

※ Connectable to nylon connector type of OZ/OZP series.

Pinout assignment

CN NAME	CONNECTOR TYPE	PIN No.	FUNCTION	WIRE COLOR	WIRE TYPE
P1	Housing: VHR-5N(JST) or equivalent Terminal: SVH-21T-P1.1(JST) or equivalent	1	LIVE	BLACK	UL1015 AWG#18
		2		N.C.	
		3	NEUTRAL	WHITE	UL1015 AWG#18
		4		N.C.	
		5	FG	GREEN	UL1015 AWG#18

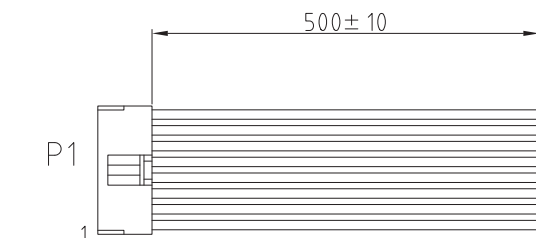
Specification

Item	Specification	Measurement condition
Specification Others	Operating temperature	-10~70°C
	Storage temperature	-25~70°C
	Relative humidity	10~95%
Free repair period	Free repair for one year from the date of purchase, and only if Nipron are responsible for the defective unit.	There shall be no condensation. There shall use under the condition of normal temperature, humidity, and rating.

Output Harness WH-C08VH-500



Dimension



Model	Stock	Standard Price (Before Tax)
WH-C08VH-500	Standard stock	¥590

Model Name Coding

WH - C 08VH - 500

① ② ③ ④

① Wire harness
② Rough hewn at load side
③ Power supply side 8pin VH connector
④ Harness length (mm)

- Output harness which able to connect with nylon connector of OZP series.

Applicable power supply

Model	Page	Model	Page
OZP-120 Series	C-E86	OZP-170 Series	C-E104

Pinout assignment

CN NAME	CONNECTOR TYPE	PIN No.	FUNCTION	WIRE COLOR	WIRE TYPE
P1	Housing: VHR-8N(JST) or equivalent Terminal: SVH-21T-P1.1(JST) or equivalent	1	DC-	BLACK	UL1015 AWG#18
		2	DC-	BLACK	
		3	DC-	BLACK	
		4	DC-	BLACK	
		5	DC+	RED	
		6	DC+	RED	
		7	DC+	RED	
		8	DC+	RED	

Specification

Item	Specification	Measuring condition
Specification Others	Operating temperature	-10~70°C
	Storage temperature	-25~70°C
	Relative humidity	10~95%
Free repair period	Free repair for one year from the date of purchase, and only if Nipron are responsible for the defective unit.	There shall use under the condition of normal temperature, humidity, and rating.