

A

B

C

D

E

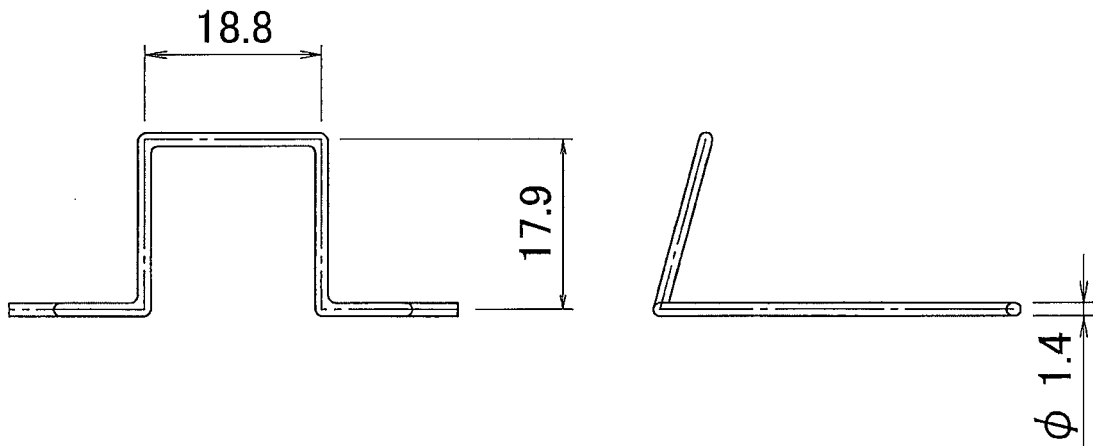
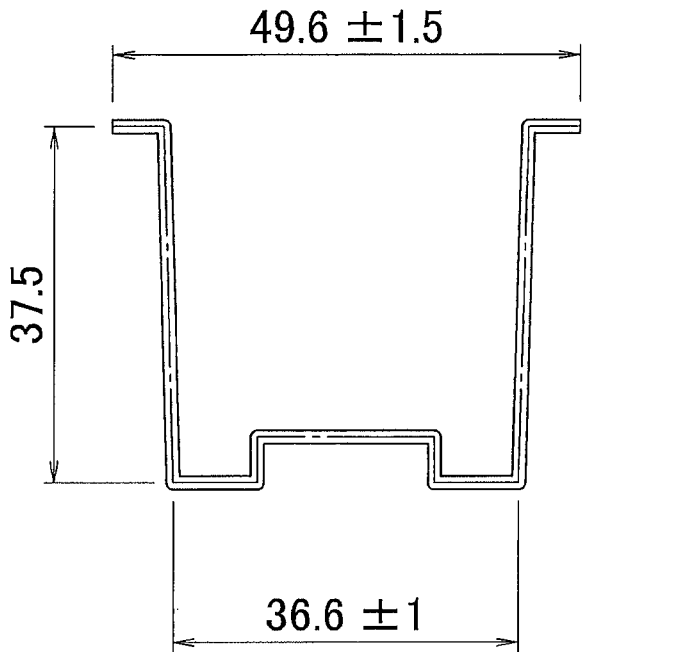
A

B

C

D

E



特に指示がない寸法公差は $\pm 0.5\text{mm}$ とする
 Dimensional tolerance shall be $\pm 0.5\text{mm}$ unless otherwise specified.

DRAWN BY	CHECKED BY	CHECKED BY	APPROVED BY	SCALE		MATERIALS	TITLE	抜け防止金具(ACC6212)
				UNITS		SUS304WPB		外観図
				3RD ANGLE PROJECTION		FINISH		DRAWING NO.
ISSUED	2021.06.03						6212-90-4-050	<input type="checkbox"/>