

A

B

C

D

E

F

A

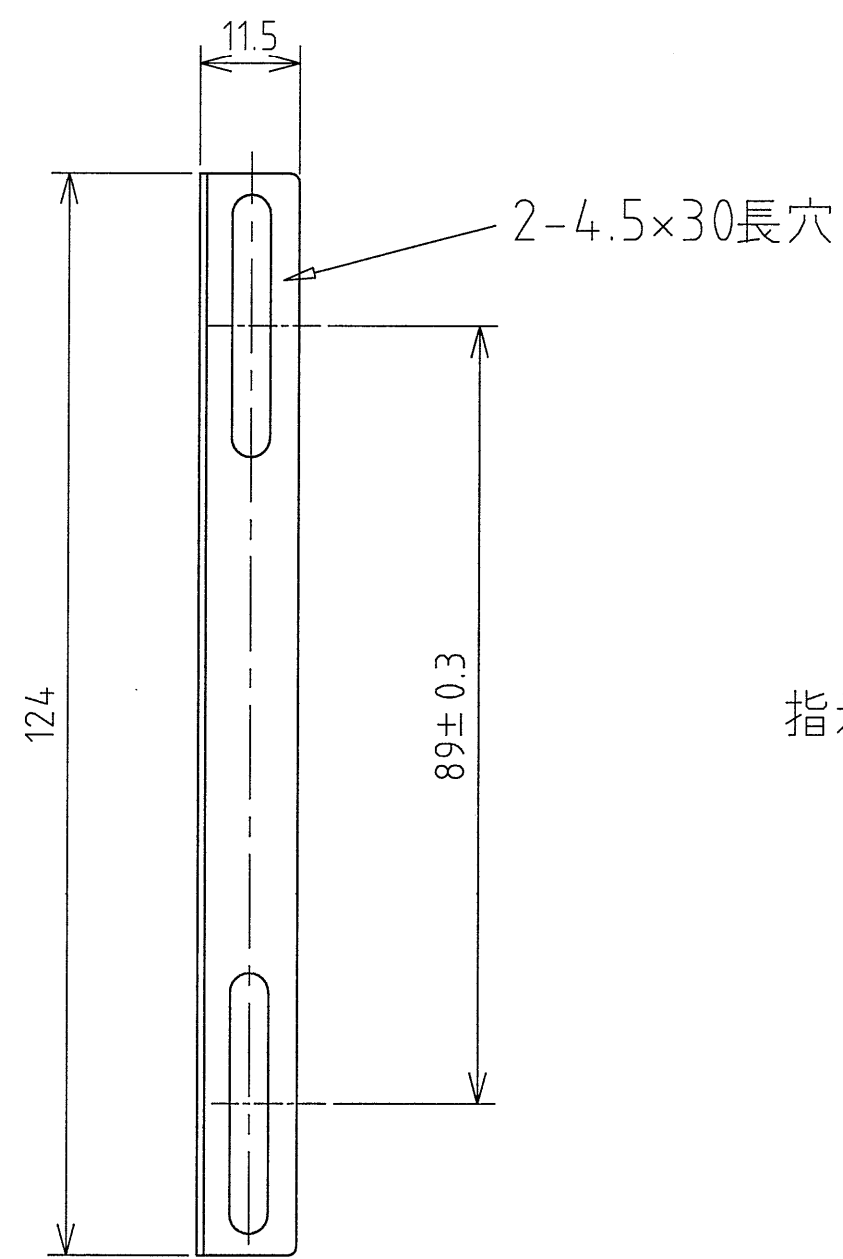
B

C

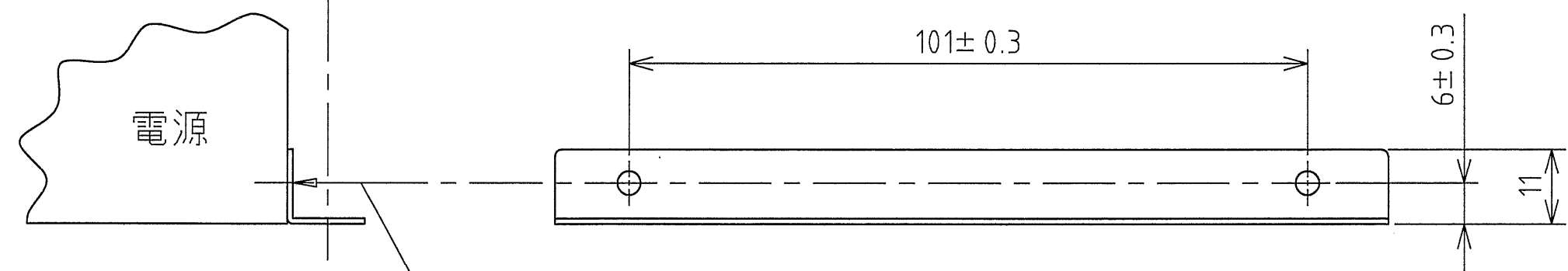
D

E

F



指示無き寸法公差：±0.5



出図
(株)ニプロン・技管

DRAWN BY	CHECKED BY	CHECKED BY	APPROVED BY	SCALE	MATERIALS	TITLE	ACC2819
花野				UNITS m/m			FINISH
ISSUED	2005. 6. 28			3RD ANGLE PROJECTION		DRAWING No.	2819-01-3-050